

ROHEVEL-FLS33

Vibrating fork type level sensor for corrosive liquid



Application

The vibrating fork type level sensor is used for level detection in silos, tanks and bunkers, both limit detection and point level measurement. These instruments are typically used in all industry and are capable of measuring liquids with strong corrosivity.

Features and benefit

- Suitable for various kinds of applications
- Without moving parts
- Good capacity of anti-interference
- With self-checking function and LED real time display
- Quick response

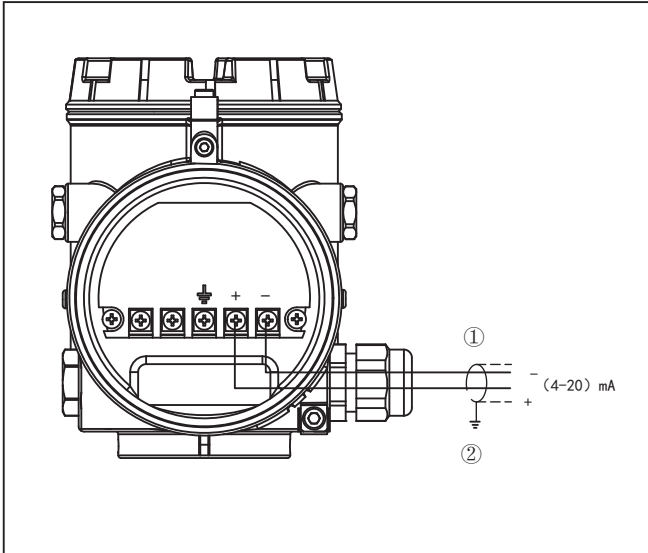
Function

The vibrating fork type level sensor works on the principle of turning forks. There is a piece of ceramic crystals located inside the forks. On the applications of voltage the crystal isolated as neutral frequency of fork sembly. This frequency is continue with the monitor by the internal electronic circuitry .When the fork comes in contact with liquid or solid material. The frequency will change and this change of frequency is sensed by the electronic circuit and send out signal. This signal is processed to give out a relay output either normally open and normally closed signal which in turn indicate level signal low or high depends on application .

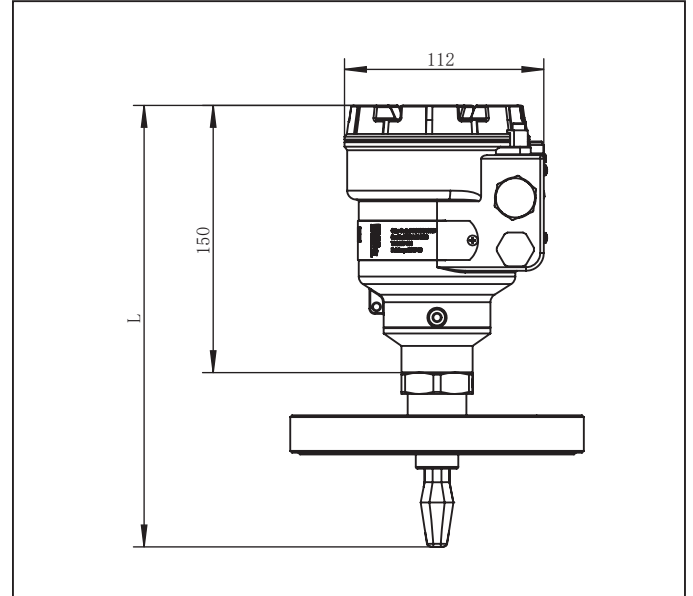
Technical data

Application	Corrosive liquid
Power supply	24VDC/220VAC
Output	DPDT 220VAC 3A
Power	<0.8W(24VDC) <2W(220VAC)
Output	DPDT 220VAC 3A
Start time	3S
Delay	1~20 S
Sensitivity	10 level(adjustable)
Media density	>0.6g/cm ²
Ambient temperature	-30℃ ~ 70℃
Process temperature	-30℃ ~ 150℃
Process pressure	-1.0 kgf/cm ² ~ 20 kgf/cm ²
Process fitting	Thread or flange
Antenna material	SS316L coated
Protect level	IP67
Electric entry	2XM20*1.5 (cable diameter 9~13mm)

Electrical connection

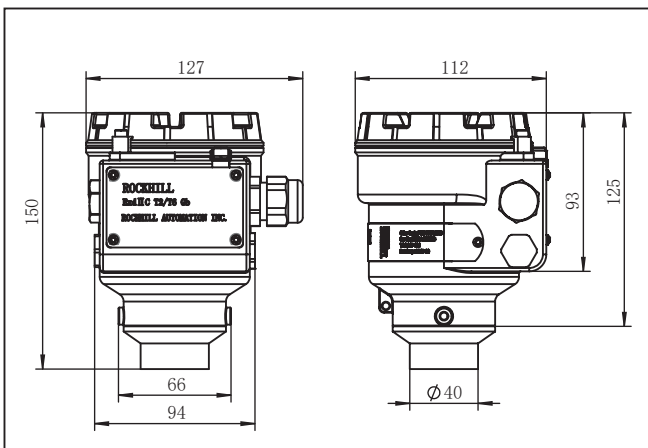


Electronics and terminal compartment, double chamber housing
 1 Voltage supply/Signal output
 2 Ground terminal for connection of the cable screen



Dimensions ROHEVEL-FLS33 with standard probe

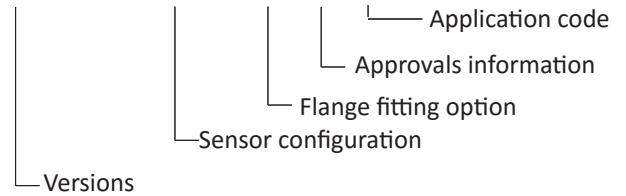
Dimensions



Dimensions ROHEVEL-FLS33 housing

How to order

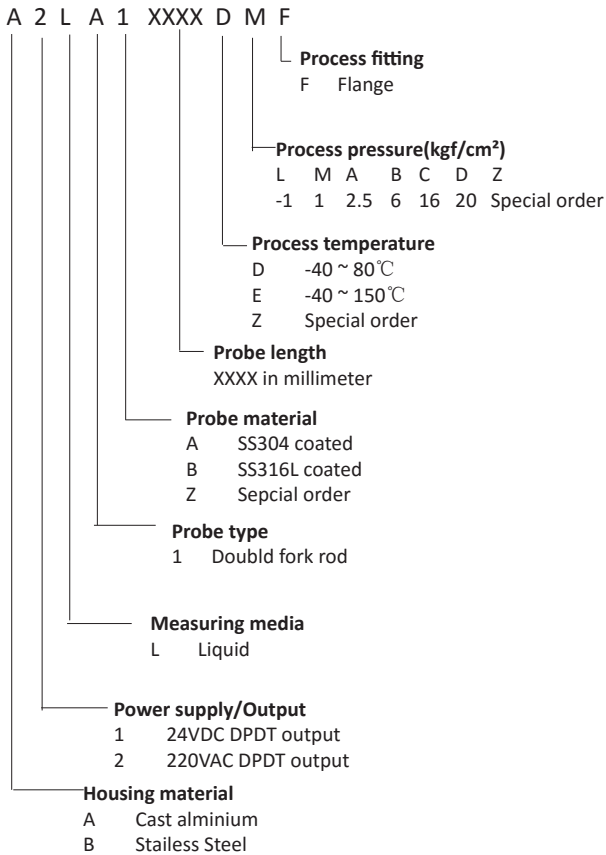
**ROHEVEL-
 FLS33-A2LA1XXXXDMF 3FB3AX-A-01B**



Approval

- A None
- C Ex ia IIC T6 Ga

Sensor configuration



Flange fitting option

